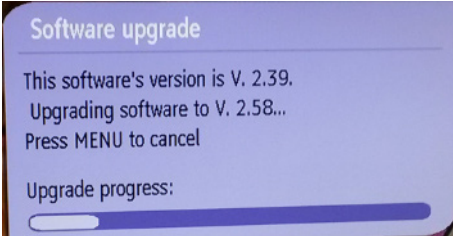
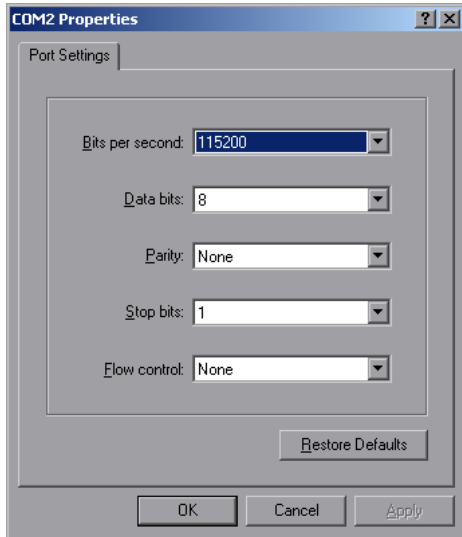
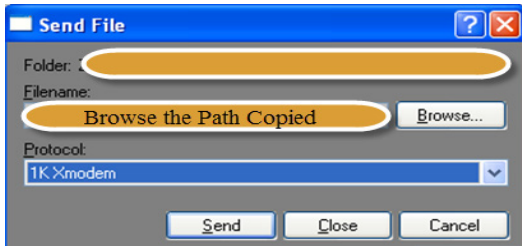
	SERVICE BULLETIN _ FIELD		
Affected Models/Products	T8300 Chassis STB	Customer	V.UK
Subject	BBC New/Extra T2 Muxes Adaption	Date	14.01.2014
Published By	Vestel Customer Support		
TYPE OF MODIFICATION	<input type="checkbox"/> HW MODIFICATION <input type="checkbox"/> BOARD CHANGE <input checked="" type="checkbox"/> OTHER CHANGE		
TECHNICAL CHANGE MODIFICATIONS:			
< Objective >			
<p>T8300 Box can't tune to new BBC Muxes with the current SWs version on devices. Objective is fixing this problem with a SW Update. (New SW version : V2.58)</p>			
< Information >			
<p>This bulletin includes how to SW update T8300 box</p>			
< Instructions >			
Updating the device SW from older version to V2.58 :			
1) If device has USB Port for Update :			
<p>1.1) Check DCF ID of the unit according to the list in attachment (Affected Product Code/Name/DCF ID List) 1.2) For DCF_1020 ;Download V2.58 Force_Upgrade.bin file from https://www.dropbox.com/sh/r731hslt2bvz3yi/IhPdXjTppQ/def_1020 For DCF 1030 ; Download V2.58 Force_Upgrade.bin file from https://www.dropbox.com/sh/r731hslt2bvz3yi/hvKxYKcnIh/def_1030</p>			
<p>1.3) Copy Force_Upgrade.bin file into a USB Stick</p>			
<p>1.4) Insert the USB Stick to the USB Port of the unit while the unit is ON.</p>			
<p>A notification pop-up such as below will appear on screen after confirming Update operation. Follow it and make sure that the unit is updated to V2.58</p>			
			

2) If device does not have USB Port :

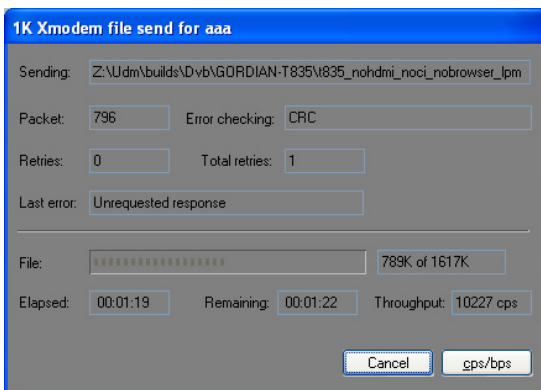
- 2.1) Check DCF ID of the unit according to the list in attachment ([Affected Product Code/Name/DCF ID List](#))
- 2.2) For DCF_1020 ;Download V2.58 Force_Upgrade.bin file from https://www.dropbox.com/sh/r731hslt2bvz3yi/IhPdXjTppQ/DCF_1020
For DCF 1030 ; Download V2.58 Force_Upgrade.bin file from https://www.dropbox.com/sh/r731hslt2bvz3yi/hvkxYKcnIh/DCF_1030
- 2.3) Connect the unit to a PC using RS232 to Scart connector (Unit should be in Power OFF state)
- 2.4) Execute Hyperterminal on PC and adjust the settings as below



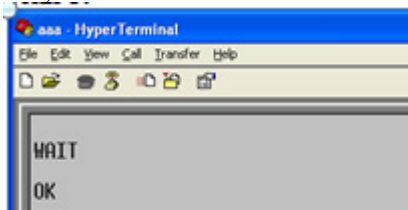
2.5) Hyperterminal → Transfer → SendFile → Browse the file (Force_Upgrade.bin); choose the protocol as 1KXmodem and click Send



2.6) Power ON the unit. Update will take 2-3 minutes and the notification menu below will appear within this period



2.7) WAIT and OK notifications will appear sequentially (WAIT-35 secs then OK)



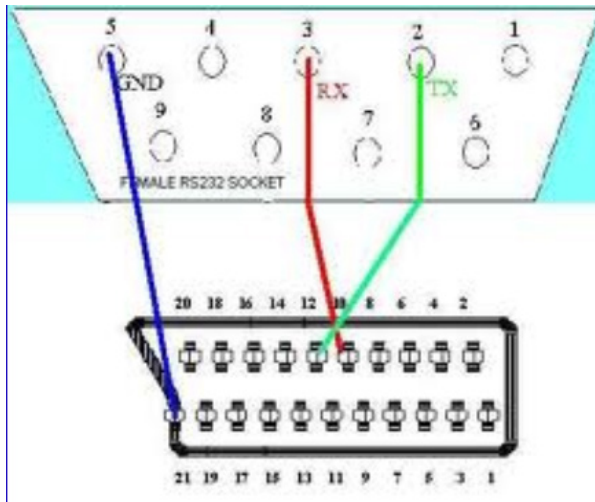
2.7) Power OFF the unit. Update successfully done.

< Attachments >

1- Affected Product Code/Name/DCF ID List

Chassis	Brand	Model Number	Vestel Product Number (Internal)	Qty	DCF
T8300	ISIS	ISI-DVBT2	10068087	1000	DCF_1020
T8300	DIGIHOME	FREEVIEW HD BOX	10068149	499	DCF_1020
T8300	FERGUSON	F02HDB	10066602	4281	DCF_1020
T8300	METRONIC	T2 HD ZAPBOX	10067011	2000	DCF_1020
T8300	XENIUS	DVBX100HD	10067009	1500	DCF_1030
T8300	BUSH	DVB680	10067175	17487	DCF_1030
T8300	FINLUX	DVBT2_665 FREEVIEW HD BOX	10067444	499	DCF_1020
T8300	LINSAR	FHD1	10067484	799	DCF_1020
T8300	ANTIFERENCE	HDSB	10067835	1000	DCF_1020
T8300	LOWRY	GSHDSTB1001	10068814	2500	DCF_1030
T8300	LUXOR	LUX-DVBT2-690	10068646	7840	DCF_1030
T8300	KRYSTEL	DVBT2	10068752	500	DCF_1030
T8300	AKURA	AVX665	10069039	2000	DCF_1030
T8300	NEXT	FREEVIEW HD BOX	10069118	200	DCF_1030
T8300	TECHWOOD	FREEVIEW HD BOX	10071320	3510	DCF_1030
T8300	MURPHY	T650HD	10071593	749	DCF_1030
T8300	TECHNIKA	STBHDTV2010	10067883	9450	DCF_1030
T8300	HITACHI	HDB95	10067483	3996	DCF_1030
TOTAL				59810	

2- Pin-out for RS232 to Scart connection



IS THERE ANY OTHER MODIFICATION REQUIRED DUE TO ABOVE MODIFICATION?

NO

YES **SW MODIFICATION** **HW MODIFICATION** **BOARD CHANGE** **OTHER CHANGE**

OTHER REQUIRED MODIFICATIONS DUE TO THE CHANGE:

NA

SPARE PARTS ORDER:

NA